



LOCATION		DATE
PREPARED BY		QUANTITY
COMMENTS		FIXTURE TYPE
CATALOG NUMBER		

## Dawson Outdoor LED Sconce DWSW Series

### Features

All purpose LED sconce with photocell is an energy saving long-lasting alternative to Incandescent. Integrated photocell for dusk-to-dawn operation. Uses only 9 watts of power to operate. Excellent use in cold climates. LEDs turn on instantly at full brightness. Ideal use for security and general lighting. Provides lighting in residential, commercial, retail and hospitality applications. Fixture mounts to standard junction box (not included).

### Construction

Housing is made from die-cast aluminum with a durable powder coat. Power supply connections must be made inside a junction box (not included).

### Finish

All exposed metal surfaces are coated in black powder finish.

### Diffuser

White glass diffuser.

### Electrical

Input 120 VAC/60 Hz .05A  
Built-in photocell.  
Operating temperature -20° C (-4°F) to 40° C (104° F)  
Not compatible with dimmers.

### LED

Integrated LED (DOB) modules capable of producing:  
6W, 350 source lumens, 3000K.  
Rated for 50,000 Hrs., 80 CRI.

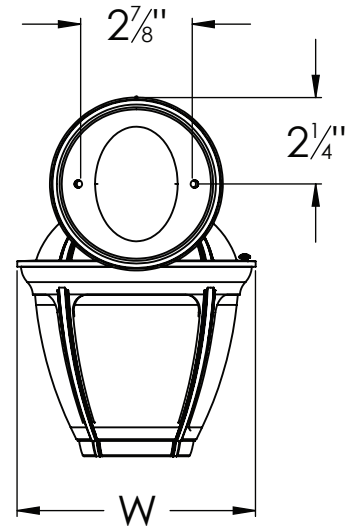
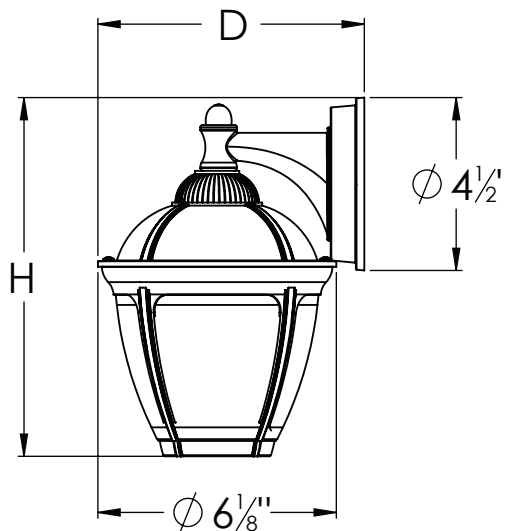
### Certification

cETLus certified for wet locations.

### Warranty

Limited warranty: This fixture is free from defects in materials and workmanship for a period of 5 years from date-of-purchase.

Specifications and dimensions  
subject to change without notice.



## Ordering Information:

Black	LED	Source Lumens	CCT	H	W	D
DWSW300L30BKWGPC	6W	350	3000K	9-1/4"	6-1/8"	6-7/8"